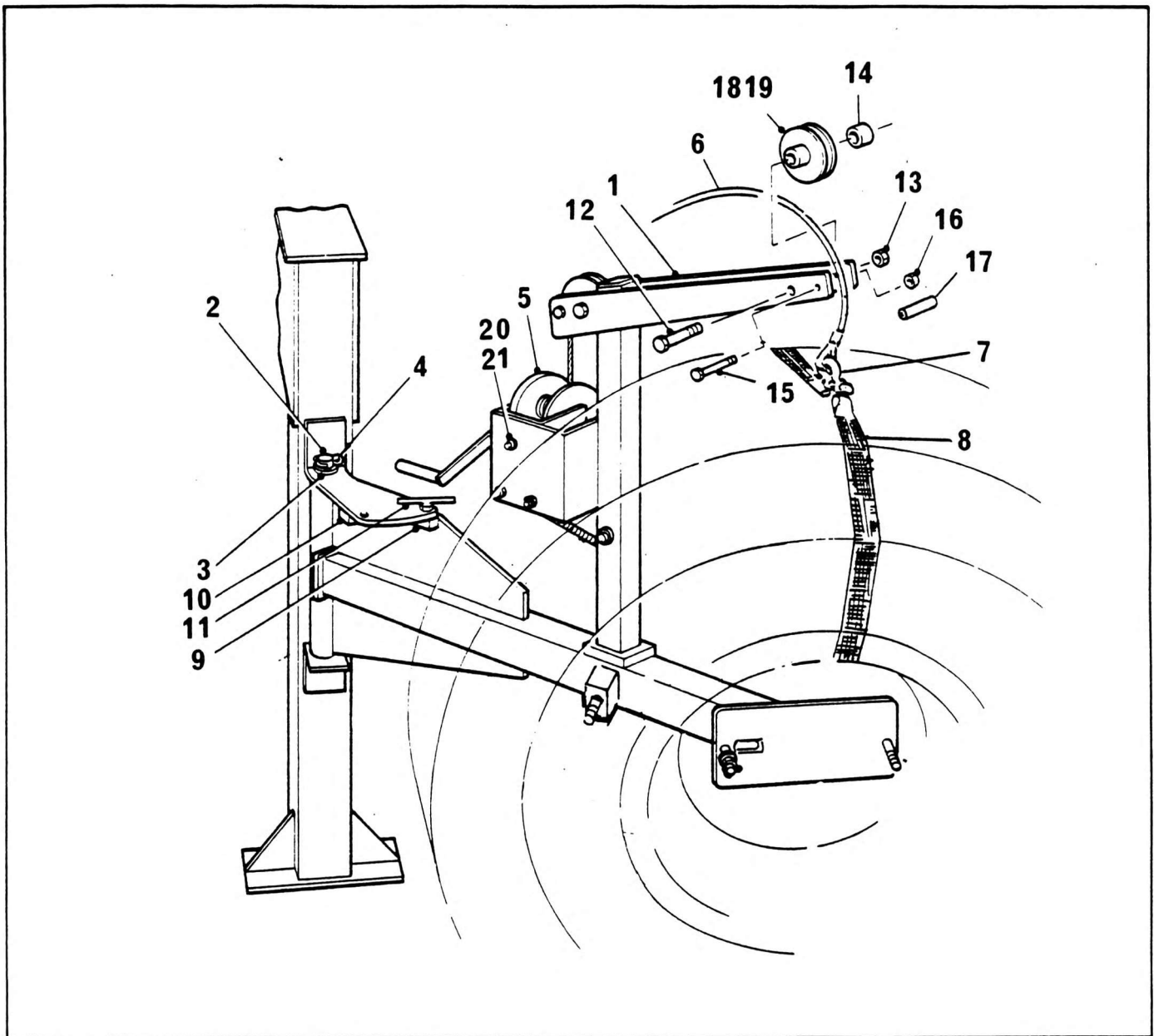


SPARE WHEEL INSTALL.



| NO. | PART NO. | QTY. | DESCRIPTION | NO. | PART NO. | QTY. | DESCRIPTION |
|-----|--------------|------|--------------------------------|---------------------------------------|--------------|------|--------------------------|
| 1 + | 6-527-990044 | 1 | Spare Wheel Drill Assy | 16 | 7-661-171103 | 2 | M8 Nut Lock |
| 2 | 4-810-990036 | 1 | Shaft | 17 | 4-199-990044 | 2 | Bush |
| 3 | 4-949-990019 | 4 | Reworked Washer | 18 | 6-718-990013 | 2 | Pulley |
| 4 | 7-689-990051 | 2 | Split Pin | 19 | 7-199-990013 | 2 | Oilite Bush |
| 5 | 7-974-990003 | 1 | Winch | 20 | 7-661-190003 | 3 | Hex Nut M10 |
| 6 | 7-978-990233 | 1 | Wire Rope | 21 | 7-951-190210 | 3 | Washer Spring Dia. 10 |
| 7 | 7-806-990002 | 1 | Bow Shackle | + See further breakdown in this group | | | |
| 8 | 7-780-990001 | 1 | Sling | | | | |
| 9 | 4-086-990117 | 1 | Block | | | | |
| 10 | 4-086-990116 | 1 | Block | | | | |
| 11 | 2-099-990007 | 1 | Locking Bolt | | | | |
| 12 | 7-115-183650 | 2 | Bolt ½" UNC x 4½"Lg | | | | |
| 13 | 7-660-181602 | 2 | Nut Self Lock ½" UNC | | | | |
| 14 | 4-059-990114 | 2 | Boss Dia. 30 x 15 Lg | | | | |
| 15 | 7-126-172650 | 2 | Bolt Hex Head M8 x 100 Long | | | | |